

Technical data sheet for Dewar flasks with flat bottom type from FB 0 - 18 CAL

Area of application

- laboratory technique
- medicinal technique
- Biotechnology
- for liquid or solid medias and solid matters (LN2 oder CO2)
- Pressure-less space for coolants



Dewar flask FB 9 CAL
without viewing stripes

Features of performance

- reliably and economically
- Dewar flasks according to DIN EN ISO 16496
- glass material according to ISO 3585
- nominal capacity from 150ml to 2,1 litres
- protective casing made of stucco aluminium

Dewar flask FB 9 CAL
with viewing stripes



Description of complete flasks

Types and accessories

- CAL = protective casing out of stucco aluminium

Temperature ranges

- glass refill from -200°C to + 150°C,
for a short time 200°C
- casing with mounting rubber and Latizell buffer
from -10°C to + 60°C

Pressure range

- pressure - less

Description of glass Dewar flask

Material

- borosilicate glass 3.3 ISO 3585

Chemical characteristics

- hydrolytic resistance: according to ISO 719 (98°C)
- hydrolytic resistance: according to ISO 720 (121°C)
- acid resistance: according to ISO 1776
- alkaline resistance: according to ISO 695-A2

Physical characteristics

- linear expansion coefficient: $3,3 \times 10^{-6}$ 1/K
(in between 20-300°C)
- density: 2,23 g/cm³
- specific thermal capacity: 910 J/kg K
- transformation temperature: 525°C

Vacuum

- $> 5 \times 10^{-6}$ mbar

Silvering

- fully silvered





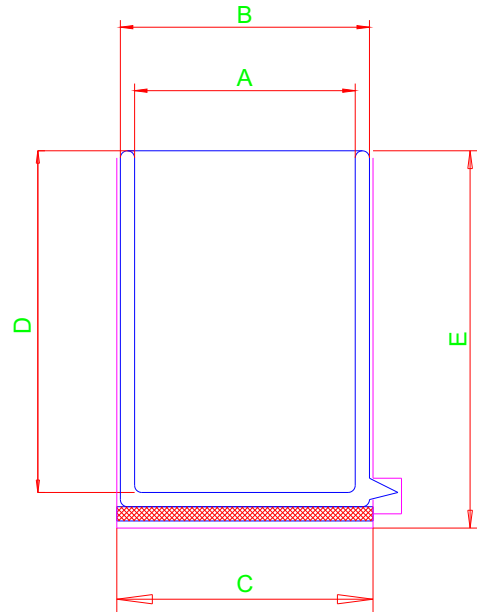
Technical data sheet for Dewar flasks with flat bottom type from FB 0 - 18 CAL

Special types

- Dewar flask with loosely lied-on plug
- with opposite viewing stripes

Safety advises and regulations

- always wear protective glasses and protective gloves
- national regulations for laboratories
- company- internal regulations
- safety regulations for handling with liquid gases



Technische Angaben / Technical Specifications / Caractéristiques techniques

Typ	max. Inhalt	A	B	C	D	E	Gewicht	Standzeit LN2	Verdampfungsrate LN2
Type	max. Content						Weight	Holding time LN2	Evaporation rate LN2
Types	Capacité max.						poids	Durabilité LN2	Taux d' évaporation LN2
	ca. [ml]	mm	mm	mm	mm	mm	ca. [kg]	ca. [h]	ca. [L / d]
FB 0 CAL	150	37	50	58	140	170	0,3	12	0,25
FB 1 CAL	250	47	60	72	140	170	0,4	13	0,35
FB 3 CAL	450	57	70	81	185	220	0,5	28	0,35
FB 6 CAL	650	67	80	90	185	220	0,6	32	0,4
FB 9 CAL	850	77	95	105	185	220	0,9	32	0,55
FB 12 CAL	1200	90	115	124	185	225	1,2	33	0,7
FB 18 CAL	2100	107	130	140	235	275	1,8	52	0,9

Angaben Verdampfungsrate für Vollversilberung / Data evaporation rate for fully silvered / Taux d'évaporation des données pour complètement argenté



02.51.12.70.01

Batailler-labo.fr



Contact@batailler-labo.fr